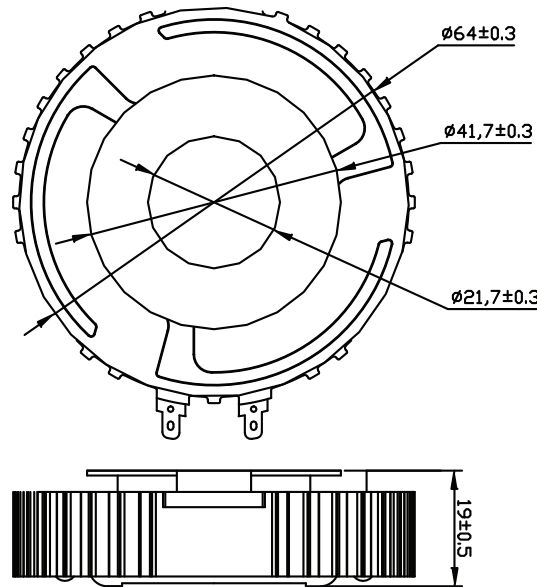


# DAEX32UT-4

# Ultra Tripod 32mm 40W 4 Ohm



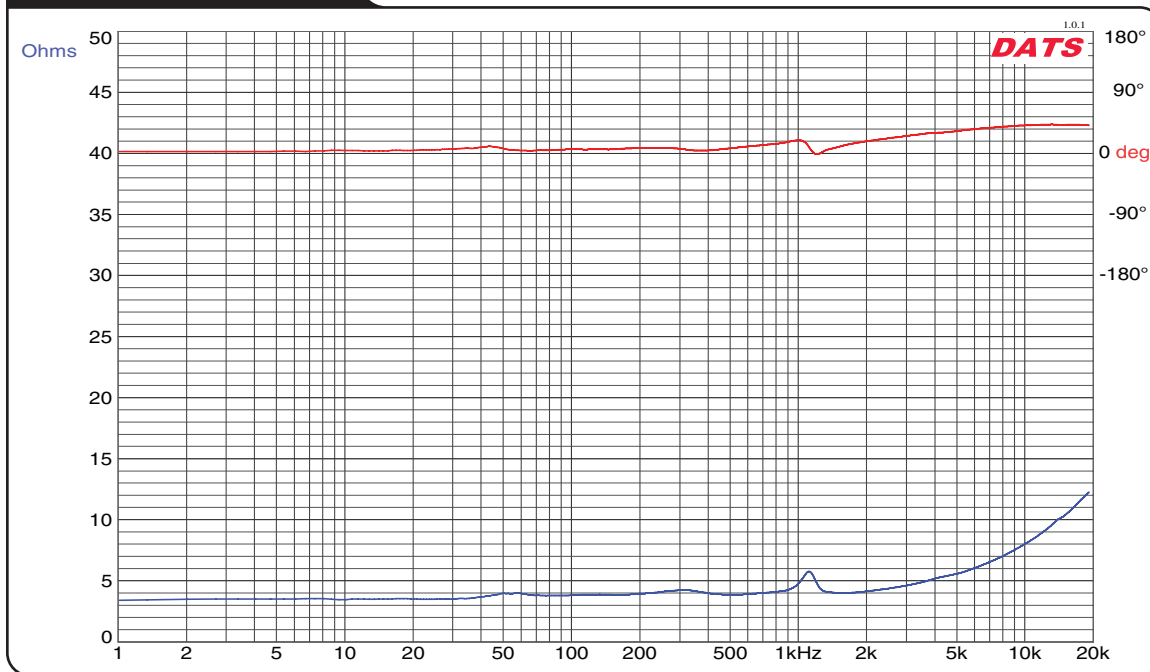
## Features

- Robust 32mm voice coil
- Low profile design
- Maximum performance

## Applications

- Automotive and commercial sound
- Industrial and military applications
- Hidden audio

## Impedance Plot



## Parameters

Impedance ( $\Omega$ )	4
Re ( $\Omega$ )	3.5
Le (mH) @ 1 kHz	0.51
Fs (Hz) - Uncoupled	1117
Qms	—
Qes	—
Qts	3.18
Mms (g)	1.00
Cms (mm/N)	0.0002
Sd (cm <sup>2</sup> )	—
Vd (cm <sup>3</sup> )	—
BL (Tm)	16.4
VAS (liters)	—
XMAX (mm)	—
VC Diameter (mm)	32
Net Weight (g)	137.4
RMS Power Handling (W)	40
Usable Frequency Range (Hz)	*