



Hidden Weatherproof Full Range Sound Exciter Transducer Applications Guide

Below are some recommended applications for the versatile Dayton Audio HDN-8 transducer.

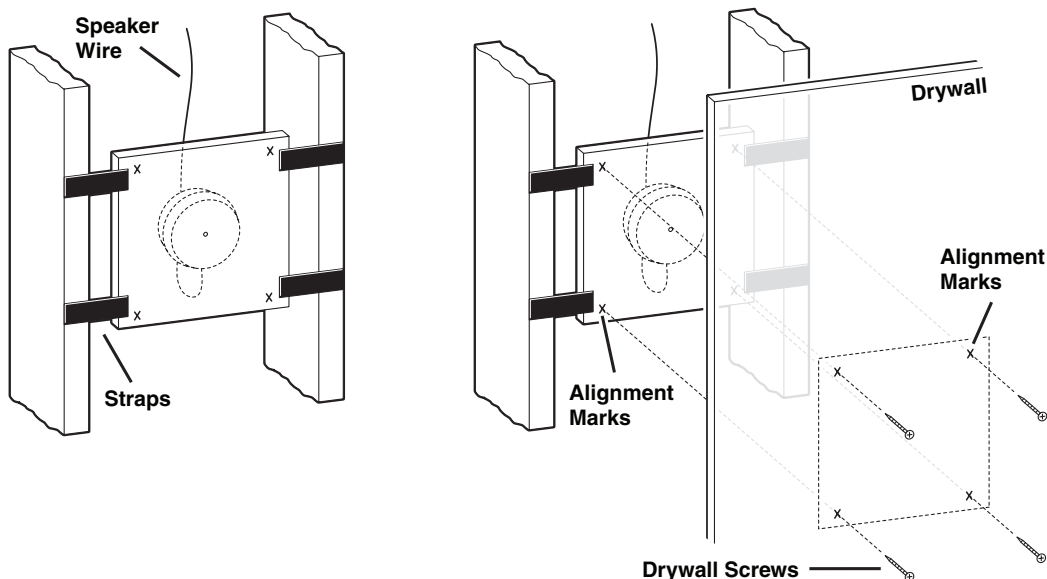
NOTE!

When mounting, tighten only to a snug fit. Overtightening may result in damage to your transducer.

If at any time you feel uncomfortable with the installation or use of this product please consult a professional installer.

New Construction

When installing the HDN-8 into new construction, use a 10 inch square piece of hardwood $\frac{1}{4}$ " to $\frac{1}{2}$ " thick and suspend it from the adjacent studs as shown using woven Nylon or flexible plastic straps attached using drywall screws. Install the HDN-8 into the rear of the hardwood panel. When drywall is installed, install four drywall screws thru the drywall into the hardwood panel. This creates a high quality 'hidden speaker' within the wall itself. A low frequency panel may be created by using a larger or thicker piece of hardwood and multiple HDN-8 transducers with electrical low-pass filtering. Hardwood provides the best audio quality, but plywood may also be used; be sure to use consistent thicknesses and sizes of wooden material for all 'hidden speakers' to ensure matched output.



Existing Construction

The HDN-8 is also easy to retrofit into an existing space. Install the HDN-8 into a 5-inch by 10-inch rectangular piece of hardwood or plywood. Cut a 5" x 5" hole in the drywall below the location where the 'hidden speaker' will be installed, and pull the speaker cable through the hole to attach to the transducer as prescribed. Apply a construction adhesive to the side of the panel opposite where the HDN-8 transducer is installed, and insert it into the wall void. Hold the panel in a vertical orientation at the desired height and install two drywall screws through the drywall and into the panel, in order to hold the panel in place while the adhesive cures.

Other Applications

The HDN-8 is extremely versatile, and can be used in any application where sound is required, but exposed or visible speakers are undesirable. This includes multimedia exhibits, electronic casino gaming equipment, and arcade games. Additionally, the HDN-8 can add sound to furnishings, bathroom fixtures, cabinets, and under flooring. When using the HDN-8 in these applications, observe all precautions outlined in the User Manual. It is recommended that the HDN-8 be installed into a wooden structural component coupled to the surface, or into a wooden plate bonded to the surface that will produce sound. When multiple HDN-8 transducers are used, series-parallel wiring may be employed to ensure the proper impedance load for the amplifier.

