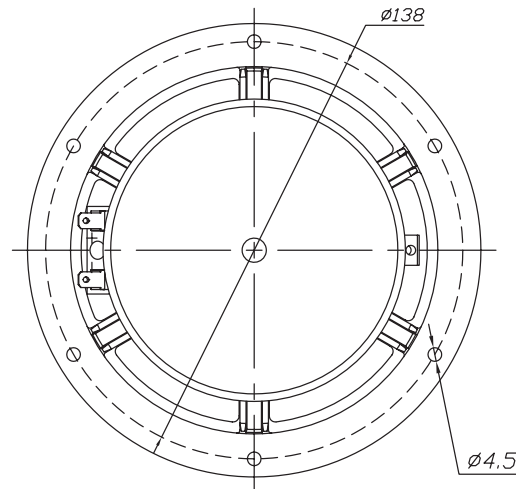
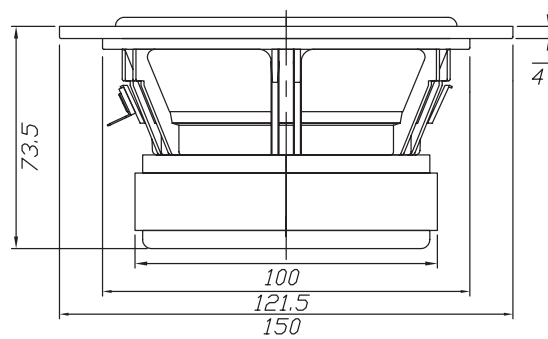


Features

- Lightweight black anodized aluminum cone
- Attractive 6-hole cast frame
- Advanced low distortion motor design
- Solid aluminum phase plug
- Rubber surround

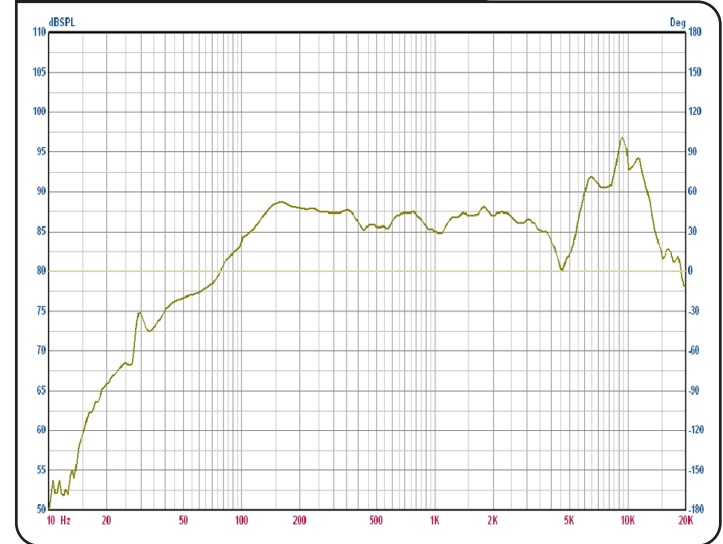
Parameters

| | |
|-----------------------------|------------|
| Impedance (Ω) | 8 |
| Re (Ω) | 6.13 |
| Le (mH) @ 1 kHz | 0.59 |
| Fs (Hz) | 47.8 |
| Qms | 2.15 |
| Qes | 0.49 |
| Qts | 0.40 |
| Mms (g) | 7.5 |
| Cms (mm/N) | 1.48 |
| Sd (cm ²) | 84.9 |
| Vd (cm ³) | 34.0 |
| BL (Tm) | 5.3 |
| VAS (liters) | 15.0 |
| XMAX (mm) | 4.0 |
| VC Diameter (mm) | 25.9 |
| SPL (dB@1W/1m) | 87.1 |
| RMS Power Handling (w) | 40 |
| Usable Frequency Range (Hz) | 48 - 4,200 |



Note: All dimensions in mm.

Frequency Response



Impedance/Phase

