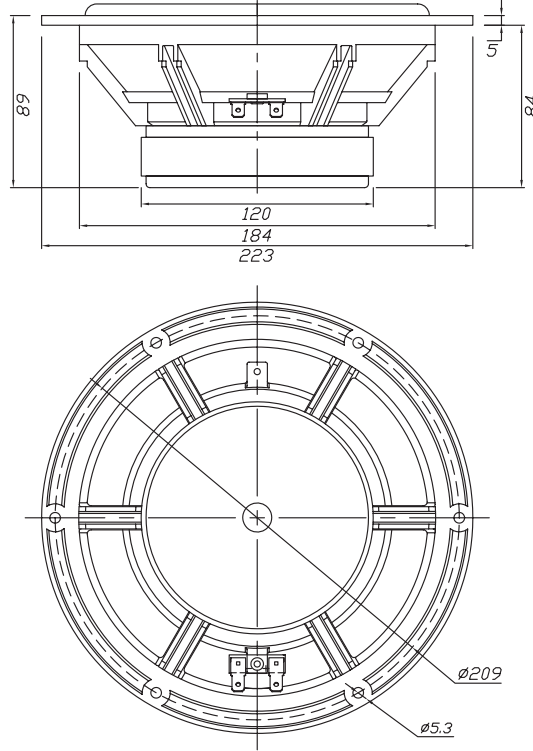


RS225P-8

8" Reference Paper Woofer 8 Ohm



Parameters

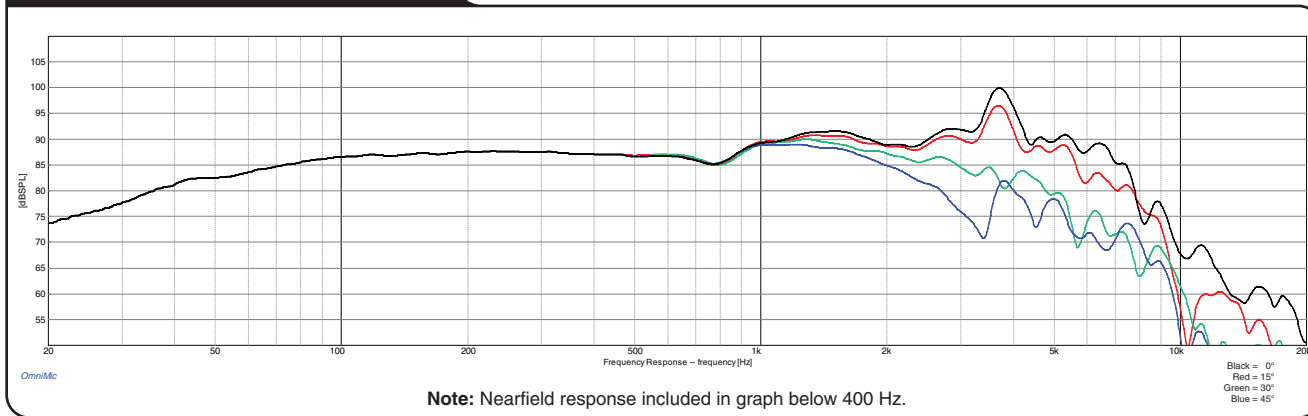
Impedance (Ω)	8
Re (Ω)	6.5
Le (mH) @ 1 kHz	0.85
Fs (Hz)	32.3
Qms	1.28
Qes	0.44
Qts	0.33
Mms (g)	21.2
Cms (mm/N)	1.15
Sd (cm ²)	213.8
Vd (cm ³)	149.7
BL (Tm)	7.97
VAS (liters)	73.5
XMAX (mm)	7
VC Diameter (mm)	38.5
SPL (dB 2.83V/1m)	90.2
RMS Power Handling (w)	80
Usable Frequency Range (Hz)	30-7,000

Features

- Lightweight paper composite cone with Kevlar and glass fibers
- Solid aluminum phase plug
- Smooth, extended frequency response
- Advanced low-distortion motor design
- Rubber surround
- Attractive 6-hole cast frame

Note: All dimensions in mm.

Frequency Response



Impedance/Phase

